

# Floor - Wall Expansion Joint Profile

## Product Information

<b>Product Model</b>	SM-C
<b>Product Type</b>	Floor- Wall Expansion Joint Cover/heavy-duty
<b>Material</b>	Aluminum Alloy 6063 T6
<b>Finish</b>	Mill finish

The SM-C Expansion Joint Profile is engineered to provide a versatile and noise-reducing connection in various applications. Rubber gaskets are strategically placed to ensure a secure and quiet connection. With the added benefits of accommodating multi-movement directions and a high load capacity, this expansion joint profile is a superior solution for a wide range of applications.

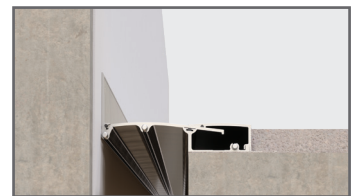
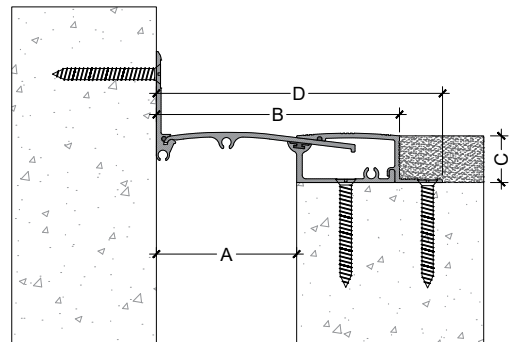
## Features and Benefits

- Smooth and Noise-Reducing Connection**  
This profile is engineered to provide a seamless and silent connection.
- High-Quality Aluminum Construction:**  
Crafted from top-grade aluminum, this profile guarantees durability and longevity.
- Versatile Application Range**  
This profile is versatile and suitable for various industries and applications. Whether you need it for industrial, commercial, or residential use, our expansion joint profile fits the bill.
- Multi-Movement Directions**  
This profile is designed to accommodate multi-movement directions. It can handle lateral, axial, and angular movements, providing flexibility for complex applications.
- High Load Capacity**  
It boasts a high load capacity, making it the ideal choice for heavy-duty applications.

## Maintenance

- > Regularly inspect the expansion joint cover for signs of damage or wear.
- > Clean with mild soap and water as needed to maintain appearance.

Code	Gap width A(mm)	Visible width B(mm)	Installation height C(mm)	Installation width D(mm)	Total Movement (mm)	Load Capacity
SM 25C	25	80	25	103	30mm (+20 -10)	Private Vehicles
SM 50C	50	105	25	128	35mm (+20 -15)	Private Vehicles
SM 75C	75	130	25	153	40mm (+20 -20)	Private Vehicles
SM 100C	100	155	25	178	40mm (+20 -20)	Private Vehicles



<b>Length</b>	Standard length: 3 meters.
<b>Fire Rating</b>	ASTM E84 Class A.
<b>Installation</b>	Please follow the installation instructions provided in the J-CAP installation guide.