

Floor-Wall Expansion Joint Profile

Product Information

Product Model	NZF-C
Product Type	Floor-Wall Expansion Joint Cover
Material	EPDM Rubber, Aluminum Alloy 6063 T6
Finish	Mill finish

Introducing our NZF-C floor to wall profile designed to meet the demands of high-traffic areas with its unique blend of robust materials and smart engineering. This profile features a durable rubber base complemented by aluminum brackets, combining strength and versatility for a range of applications.

Features and Benefits



High Load-Bearing Capacity

Engineered to withstand substantial loads, making it an ideal solution for parking areas and high-traffic zones.



Water-Tight Design

The integration of aluminum brackets ensures protection against direct impact, while the possibility of securing the rubber with epoxy adhesive renders the profile 100% water-tight, safeguarding the flooring from moisture and ensuring longevity.



Versatility

Suitable for diverse environments due to its load-bearing capacity and water-tight design, ensuring resilience in high-traffic zones.



Economical Solution

Designed to be cost-effective by incorporating essential functionalities within the profile, eliminating the need for additional components.



Low Maintenance

Requires minimal upkeep once installed, ensuring a long-lasting, hassle-free flooring solution.



Easy Installation

Simplifies the installation process, saving time and labor costs.



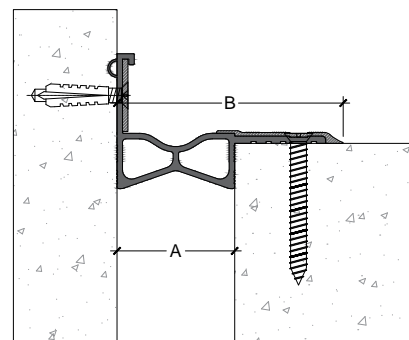
Safety

Provides a smooth surface for vehicles and pedestrians, reducing trip hazards.

Maintenance

- > Regularly inspect the expansion joint cover for signs of damage or wear.
- > Clean with mild soap and water as needed to maintain appearance.

Code	Gap width A(mm)	Visible width B(mm)	Total movement (mm)	Load Capacity
NZF 35C	35	97	30mm (+15 -15)	Private Vehicles
NZF 50C	50	110	50mm (+25 -25)	Private Vehicles
NZF 75C	75	130	60mm (+30 -30)	Private Vehicles



Length	Standard length: 3 meters.
Fire Rating	ASTM E84 Class A.
Installation	Please follow the installation instructions provided in the J-CAP installation guide.