

Floor-Wall Expansion Joint Profile

Product Information

Product Model	JCC-C
Product Type	Floor-Wall Expansion Joint Cover/heavy-duty Profile
Material	Aluminum Alloy 6063 T6
Finish	Mill finish

Introducing our JCC-C Profile, a heavy-duty aluminum construction designed for versatile applications with multi-directional movement capabilities

Features and Benefits



Multi-Directional Movement
Ingeniously engineered with flexible connections between parts and equipped with rubber gaskets, ensuring seamless movement in multiple directions.



Low Profile Design
Engineered with 0 installation height for seamless integration directly above the finished floor.



Versatility
Accommodates different load types, making it a versatile solution for various commercial and industrial settings.



Aesthetics
Its sleek aluminum design seamlessly integrates with surrounding structures, maintaining a visually appealing environment.



Easy Installation
Quick and hassle-free installation process with clear instructions provided.

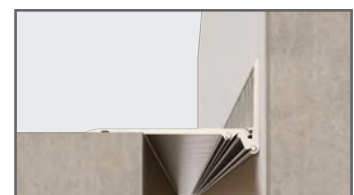
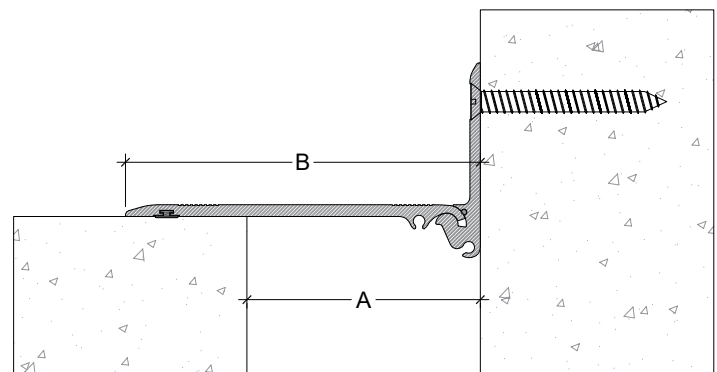


Versatile Weather Endurance
Engineered with corrosion-resistant properties, this expansion joint cover is well-suited for indoor and outdoor applications. For outdoor use, a water barrier must be incorporated to ensure optimal performance.

Maintenance

- > Regularly inspect the expansion joint cover for signs of damage or wear.
- > Clean with mild soap and water as needed to maintain appearance.

Code	Gap width A(mm)	Visible width B(mm)	Total movement (mm)	Load Capacity
JCC 50C	50	92	65mm (+40 -25)	Private Vehicles
JCC 75C	75	127	95mm (+50 -45)	Private Vehicles
JCC 100C	100	152	120mm (+50 -70)	Private Vehicles
JCC 150C	150	228	185mm (+75 -110)	Private Vehicles
JCC 200C	200	293	255mm (+90 -165)	Private Vehicles



Length	Standard length: 3 meters.
Fire Rating	ASTM E84 Class A.
Installation	Please follow the installation instructions provided in the J-CAP installation guide.