

Floor - Wall Expansion Joint Profile

Product Information

Product Model	ESPS-C
Product Type	Floor-Wall Expansion Joint Cover/Pan Seismic Profile
Material	Aluminum Alloy 6063 T6, Sealant
Finish	Mill finish
Gasket colors	Sealant colors

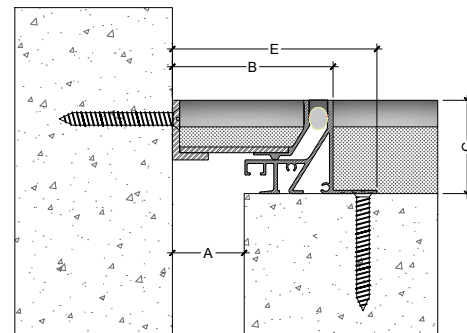
Features and Benefits

- 
Seismic Movement Capability
 Designed to accommodate horizontal and vertical movements caused by seismic activity.
- 
Durable Construction
 Made from high-strength aluminum alloy for exceptional durability and long service life.
- 
Streamlined Aesthetics
 The low-profile design, coupled with multiple gasket color options, seamlessly enhances aesthetics while preserving functionality.
- 
Easy Installation
 Quick and hassle-free installation process with clear instructions provided.
- 
Versatile Weather Endurance
 Engineered with corrosion-resistant properties, this expansion joint cover is well-suited for indoor and outdoor applications. For outdoor use, a water barrier must be incorporated to ensure optimal performance.

Maintenance

- > Regularly inspect the expansion joint cover for signs of damage or wear.
- > Clean with mild soap and water as needed to maintain appearance.

Code	Gap width A(mm)	Visible width B(mm)	Installation height C(mm)	Installation width E(mm)	Thermal movement (mm)	Seismic movement (mm)	Load Capacity
ESPS 25C	25	87	65	118	16.5mm (+10 -6.5)	26.5mm (+20 -6.5)	Pedestrian
ESPS 35C	35	97	65	128	20mm (+10 -10)	30mm (+20 -10)	Pedestrian
ESPS 50C	50	112	65	143	20mm (+10 -10)	40mm (+20 -20)	Pedestrian
ESPS 75C	75	137	65	168	20mm (+10 -10)	50mm (+20 -30)	Pedestrian
ESPS 100C	100	162	65	193	20mm (+10 -10)	65mm (+20 -45)	Pedestrian
ESPS 150C	150	212	65	243	20mm (+10 -10)	90mm (+20 -70)	Pedestrian



Length	Standard length: 3 meters.
Fire Rating	ASTM E84 Class A.
Installation	Please follow the installation instructions provided in the J-CAP installation guide.