

Floor-Wall Expansion Joint Profile

Product Information

Product Model	ARB-C
Product Type	Floor-Wall Expansion Joint Cover/heavy-duty seismic Profile
Material	Aluminum Alloy 6063 T6
Finish	Mill finish

Introducing our robust heavy-duty seismic expansion joint cover profile designed for areas that experience high traffic loads, such as private car parking areas and back-of-house spaces with trolley movements. This specially engineered expansion joint system provides optimal durability and performance while seamlessly accommodating various heavy-duty loads.

Features and Benefits



Seismic Movement Capability
Designed to accommodate horizontal and vertical movements caused by seismic activity.



Versatility
Accommodates different load types, making it a versatile solution for various commercial and industrial settings.



Aesthetics
Its sleek aluminum design seamlessly integrates with surrounding structures, maintaining a visually appealing environment.



Easy Installation
Quick and hassle-free installation process with clear instructions provided.

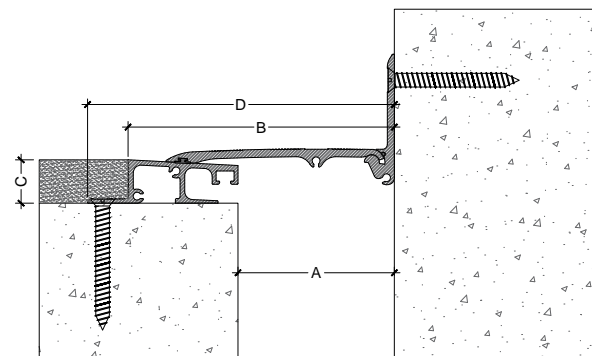


Versatile Weather Endurance
Engineered with corrosion-resistant properties, this expansion joint cover is well-suited for indoor and outdoor applications. For outdoor use, a water barrier must be incorporated to ensure optimal performance.

Maintenance

- > Regularly inspect the expansion joint cover for signs of damage or wear.
- > Clean with mild soap and water as needed to maintain appearance.

Code	Gap width A(mm)	Visible width B(mm)	Installation height C(mm)	Installation width D(mm)	Thermal movement (mm)	Seismic movement (mm)	Load Capacity
ARB 50C	50	121	28	147	80mm (+40 -40)	95mm (+45 -50)	Private Vehicles
ARB 75C	75	146	28	172	100mm (+40 -60)	120mm (+45 -75)	Private Vehicles
ARB 100C	100	171	28	197	100mm (+40 -60)	145mm (+45 -100)	Private Vehicles
ARB 150C	150	221	28	247	120mm (+40 -80)	195mm (+45 -150)	Private Vehicles
ARB 200C	200	271	28	297	140mm (+40 -100)	245mm (+45 -200)	Private Vehicles



Length Standard length: 3 meters.

Fire Rating ASTM E84 Class A.

Installation Please follow the installation instructions provided in the J-CAP installation guide.